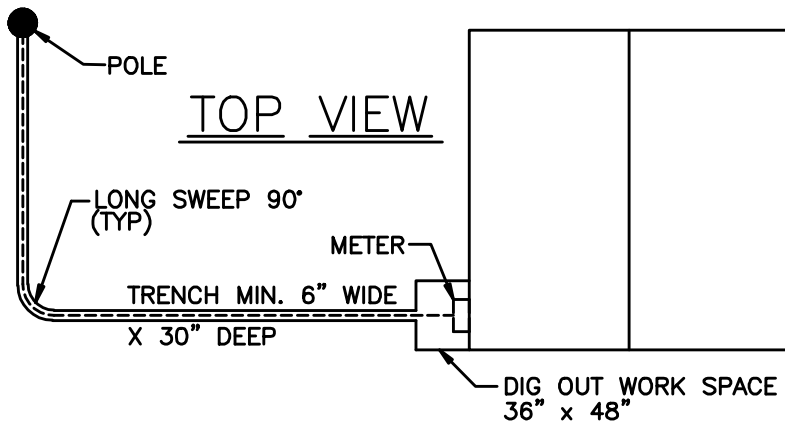


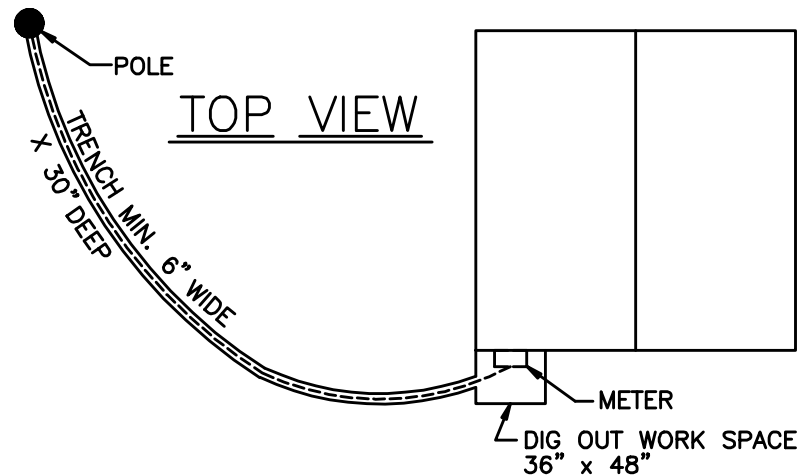
CLEARWATER POWER CO.
ACCEPTABLE SECONDARY DITCH DETAIL

ACAD\CONSBK\ugsec1.dwg



NO MORE THAN ONE 90° CURVE IN TRENCH

NO MORE THAN ONE 90° CURVE IN TRENCH



SWEEPING CURVE TO ACCOMMODATE SCH 40 CONDUIT

1. MEMBER RESPONSIBLE FOR ALL TRENCHING, BACKFILLING, AND BEDDING.
2. ALL BACKFILL MUST BE COMPACTED BY MEMBER.
3. ANY ROAD CROSSINGS MUST MEET STATE OR COUNTY SPECIFICATIONS AND USE A MINIMUM OF SCHEDULE 40 CONDUIT.
4. UNDERGROUND MARKING TAPE PROVIDED BY CPC TO BE BURIED IN DITCH 12" ABOVE CONDUIT.

