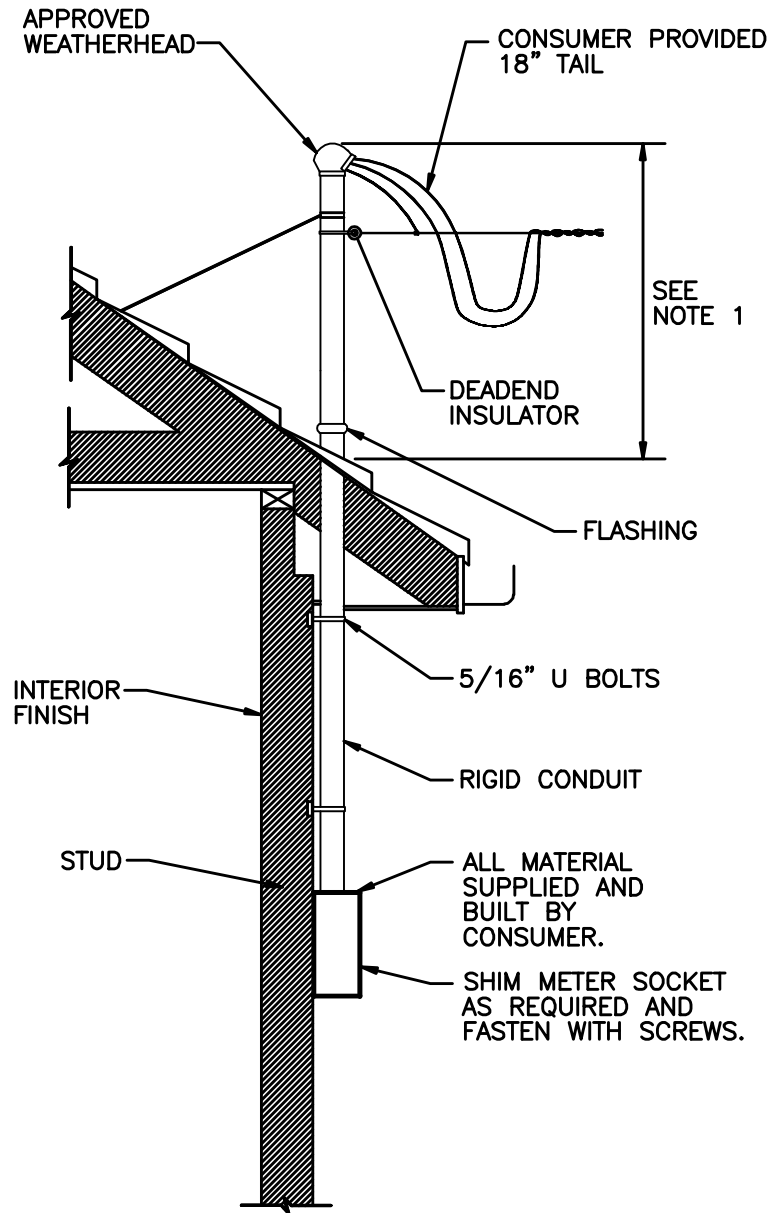


MEMBER OR ELECTRICIAN MUST ASSEMBLE METER LOOP PRIOR TO CONSTRUCTION.

CLEARWATER POWER CO.

BUILDING SERVICE ATTACHMENTS



NOTES:

1. ROOF LINE TO POINT OF ATTACHMENT SHALL NOT BE LESS THAN 18". SERVICE HEAD SHALL BE NOT MORE THAN 8" ABOVE POINT OF ATTACHMENT. WHERE MAST IS OVER 26" HIGH OR SERVICE WIRE EXCEEDS 100', GUYS ARE REQUIRED.