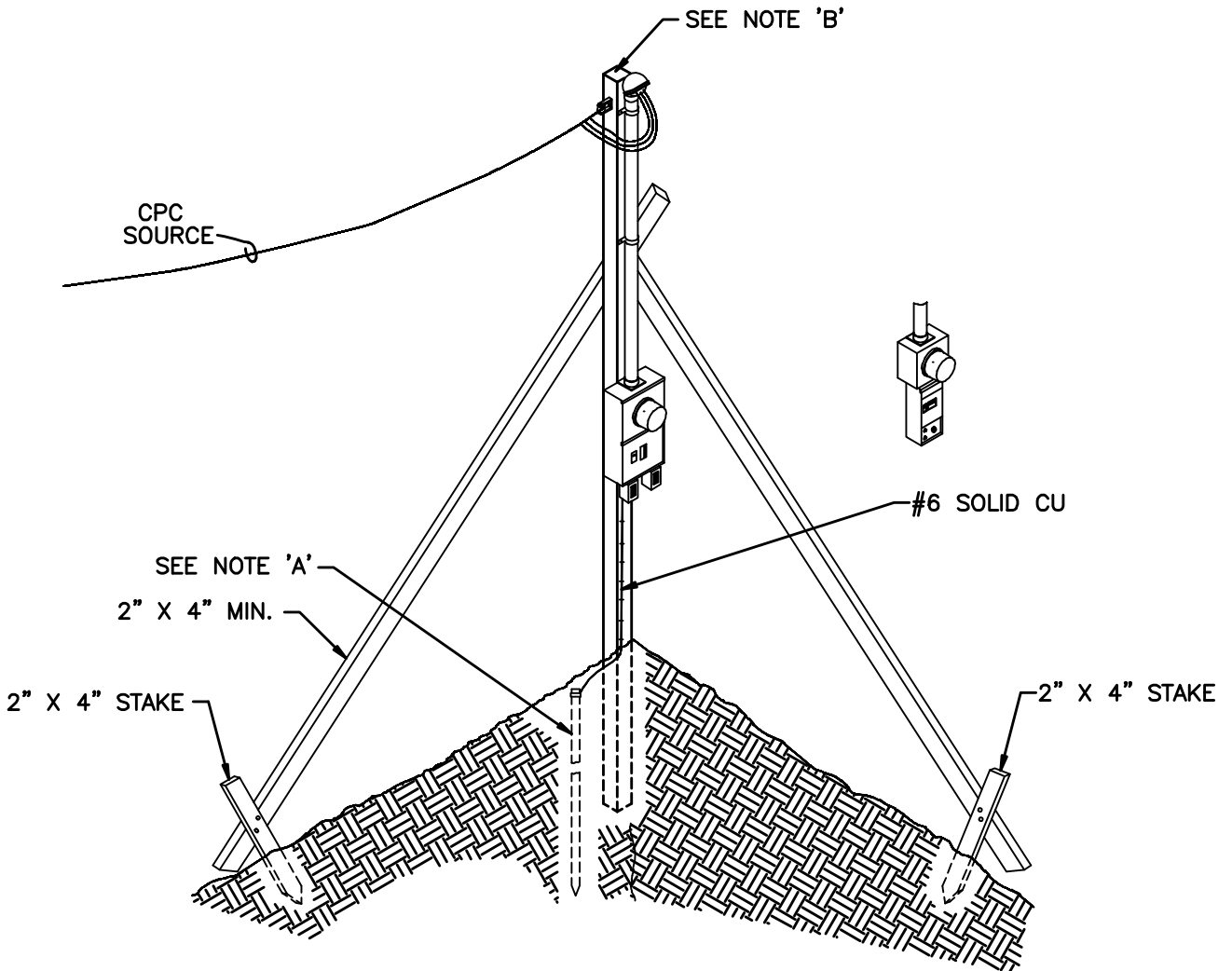


CLEARWATER POWER CO.
TEMPORARY CONSTRUCTION FOR OVERHEAD

MEMBER OR ELECTRICIAN MUST ASSEMBLE METER LOOP PRIOR TO CONSTRUCTION.



NOTE 'A' - MEMBER MUST PROVIDE ONE (1) 8' GROUND ROD W/#4 OR #6 COPPER GROUND WIRE.
NOTE 'B' - 6" X 6" TREATED POST, RAILROAD TIE, 6" CHANNEL, OR EQUIVALENT.