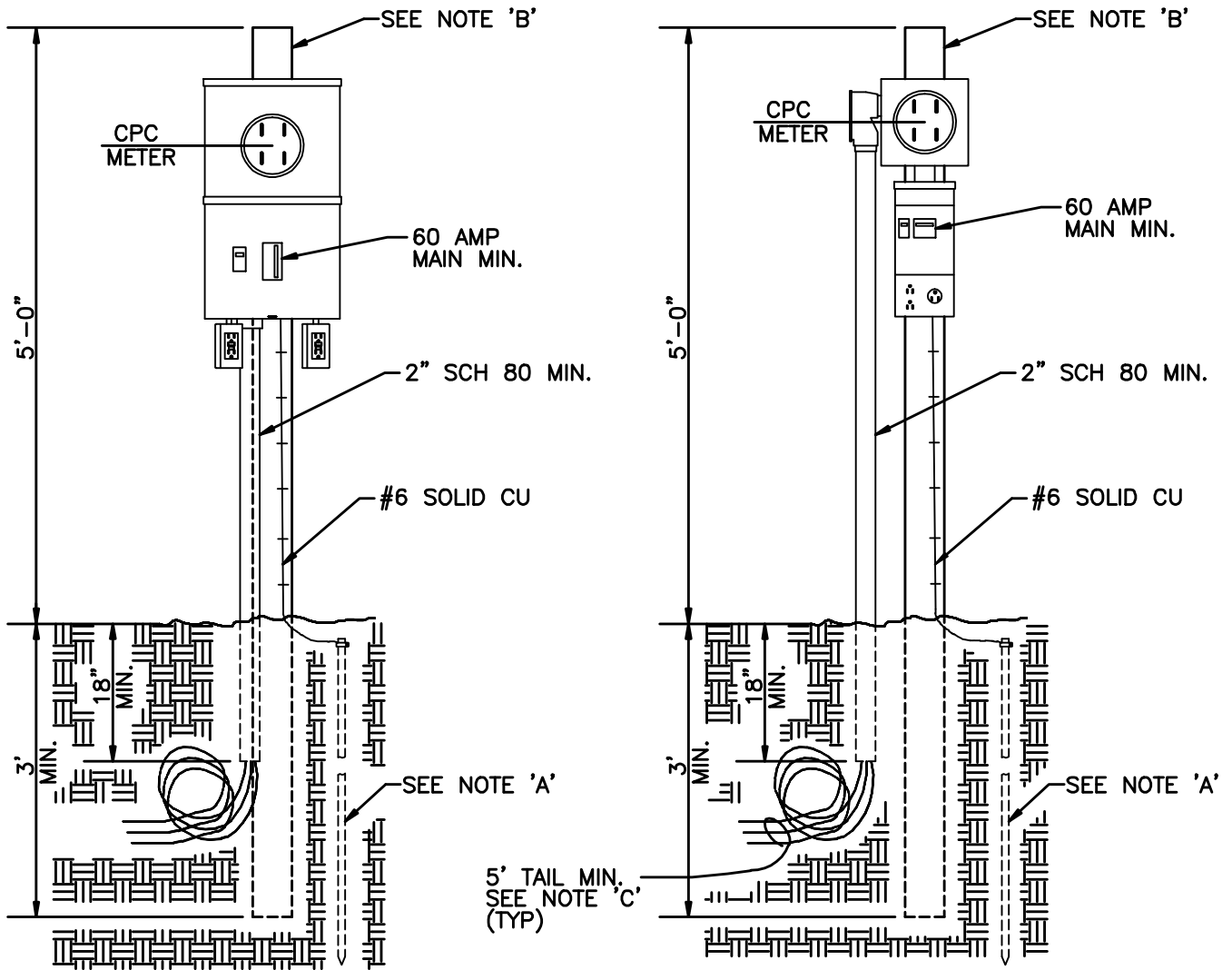


CLEARWATER POWER CO.

TEMPORARY CONSTRUCTION FOR UNDERGROUND

MEMBER OR ELECTRICIAN MUST ASSEMBLE METER PEDESTAL PRIOR TO CONSTRUCTION.



- NOTE 'A' - MEMBER MUST PROVIDE ONE (1) 8' GROUND ROD W/#4 OR #6 COPPER GROUND WIRE.
- NOTE 'B' - 6" X 6" TREATED POST, RAILROAD TIE, 6" CHANNEL, OR EQUIVALENT.
- NOTE 'C' - IF SERVICE IS FOR A MANUFACTURED HOME, A SEPARATE GROUND WIRE MUST BE RAN. (GREEN WIRE).